

SDU Development Information

Development Name:
Park Lake - Stage 6 & 7

Developer Company:
PARK LAKE

Development Address:
Adare Road

Authorised Rep:
PE CONSULTING ENGINEERS
Phone: 07 5596 1425
E-Mail: urd@pece.com.au

nbn Reference Number: STG-M000183587

Stage Number: 6 & 7

Design Revision: A

BILL OF MATERIAL

NO OF LOTS: 46

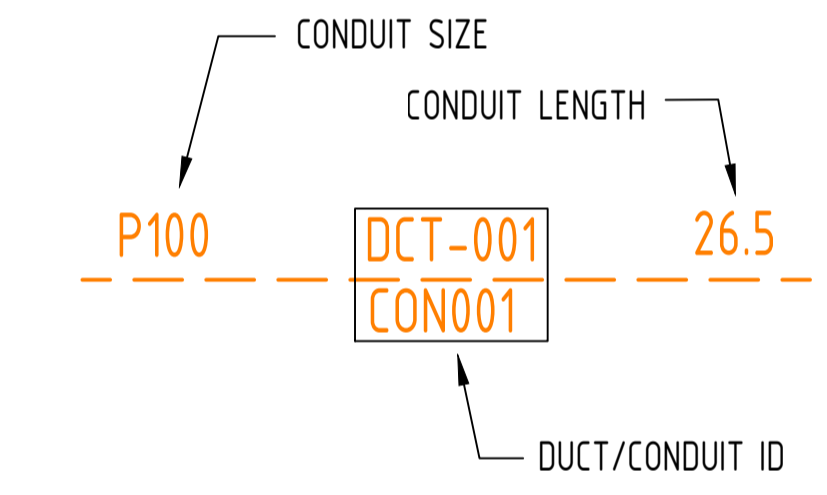
PITS		DUCTS	
SIZE	QTY	SIZE	QTY
2	0	P100	29
5	23	P50	1
6	2	P20	46
8	3		
9	0		

TOTAL NUMBER OF PITS: 28
 TOTAL NUMBER OF MANHOLES: 0
 TOTAL NUMBER OF CONDUITS: 76
 TOTAL LENGTH OF CONDUITS: 3305.5

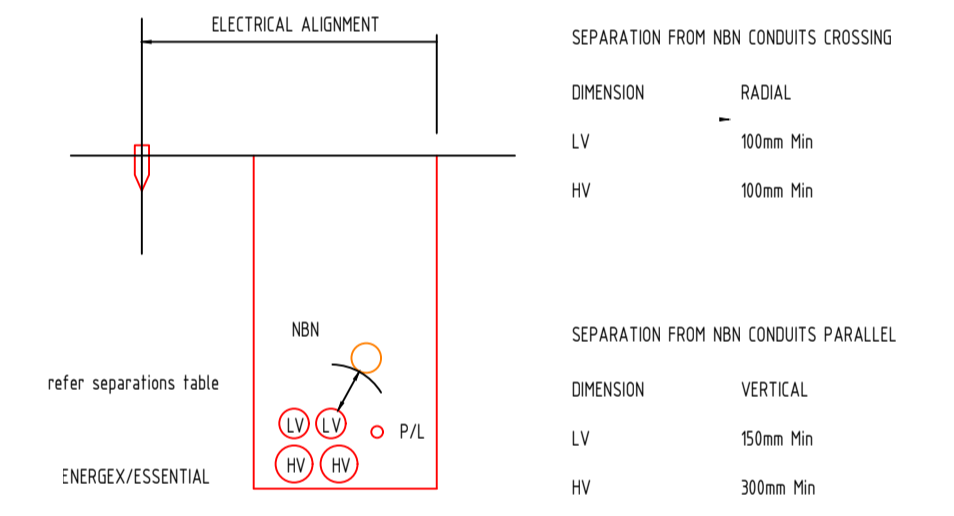
NBN SYMBOL LEGEND

- Transformer / Kiosk / Pad Mount
Sub-station / Pole Mount Transformer
- PIT-ID 5 Network Boundary/Local Network Pit (Single Lid) (700mmX450mmX650mm)
- PIT-ID 6 Network Boundary/Local Network Pit (Single Lid) (1360mmX555mmX650mm)
- PIT-ID 8 Distribution/Local Network Connection Pit (1360mmX555mmX860mm)
- Shared Trench Symbol
- Energex Pillar

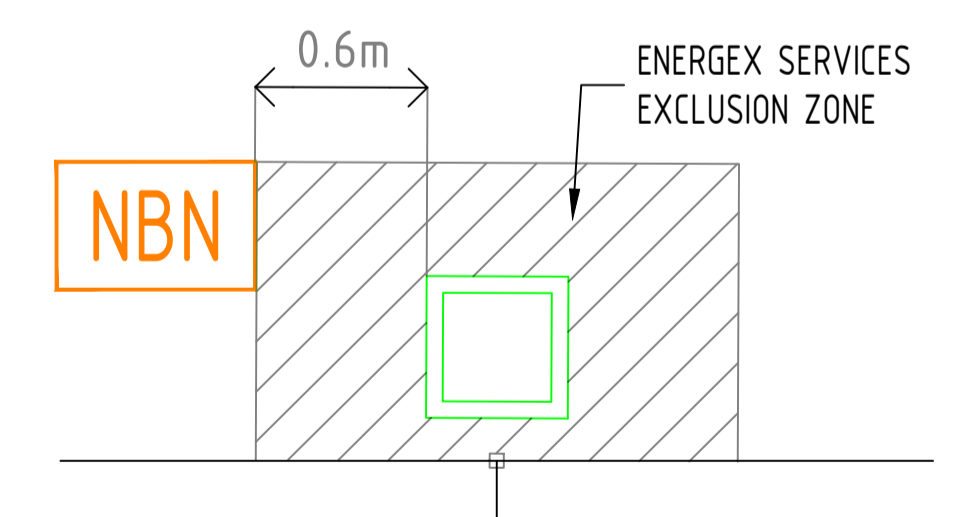
CONDUIT CONFIGURATION



TRENCH SECTION



STANDARD NBN PIT OFFSET TO ENERGEX PILLAR



WHERE PITS ARE NOT LOCATED BESIDE PILLARS, OFFSETS WILL BE SHOWN ON THE LAYOUT TO THE NEAREST TRUNCATION. IF NO OFFSET DISTANCE IS SHOWN, PLEASE CONTACT DESIGN CONSULTANT PRIOR TO INSTALLATION.



REV	DATE	DRAFTER	DESCRIPTION	APPROVED
P	14.0125	AP	PRELIMINARY ISSUE, NOT FOR CONSTRUCTION	

STRICTLY CONFIDENTIAL

NBNCO APPROVAL RECORD:

SIGNATURE	DATE
<input type="checkbox"/> DD	_____
<input type="checkbox"/> WD	_____
<input type="checkbox"/> AB	_____

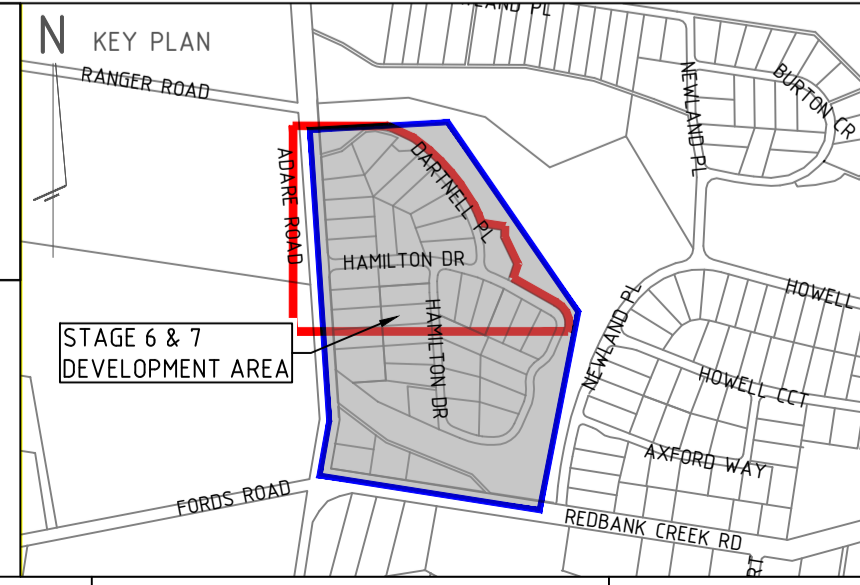
QUALITY RECORD:

NBNCO DISCLAIMER
 THIS DOCUMENT HAS BEEN PREPARED SOLELY FOR THE USE OF NBNCO LIMITED (ABN 86 136 533 741) FOR USE IN MAINTAINING NBNCO FACILITIES. IT HAS NOT BEEN CREATED FOR ANY OTHER USE. IT SHOULD NOT BE SCALED TO LOCATE NBNCO ASSETS. NO WARRANTY IS GIVEN THAT THE INFORMATION IS ACCURATE OR COMPLETE.

Australia's broadband network

PE CONSULTING ENGINEERS

STREET ADDRESS: U14, 39 Lawrence Dr, Naremburn QLD 4211
 POSTAL ADDRESS: PO Box 2953, Naremburn QLD 4211
 TELEPHONE: (07) 5596 1425
 EMAIL: urd@pece.com.au
 WEB: pece.com.au



DRAWING TITLE:
STG-M000183587
PIT & PIPE LAYOUT
PARK LAKE STG6&7
40 Lot Subdivision

ENABLE#: 279323

STATE: QLD REGION: 56

FSA: SAM: ADA:

PROJECT No: STG-M000183587

CADREF No:

SCALE: 1:100@A1 SHEET No: 1 OF 2 REV: P



SDU Development Information

Development Name:
Park Lake - Stage 6 & 7

Developer Company:
PARK LAKE

Development Address:
Adare Road

Authorised Rep:
PE CONSULTING ENGINEERS
Phone: 07 5596 1425
E-Mail: urd@pece.com.au

nbn Reference Number: STG-M000183587 Stage Number: 6 & 7

Design Revision: A

BILL OF MATERIAL

NO OF LOTS: 46

PITS		DUCTS		
SIZE	QTY	SIZE	QTY	MTRS
2	0	P100	29	2653.4
5	23	P50	1	73.1
6	2	P20	46	579
8	3			
9	0			

TOTAL NUMBER OF PITS: 28
 TOTAL NUMBER OF MANHOLES: 0
 TOTAL NUMBER OF CONDUITS: 76
 TOTAL LENGTH OF CONDUITS: 3305.5



REV	DATE	DRAFTER	DESCRIPTION	APPROVED
P	14.01.25	AP	PRELIMINARY ISSUE, NOT FOR CONSTRUCTION	

STRICTLY CONFIDENTIAL

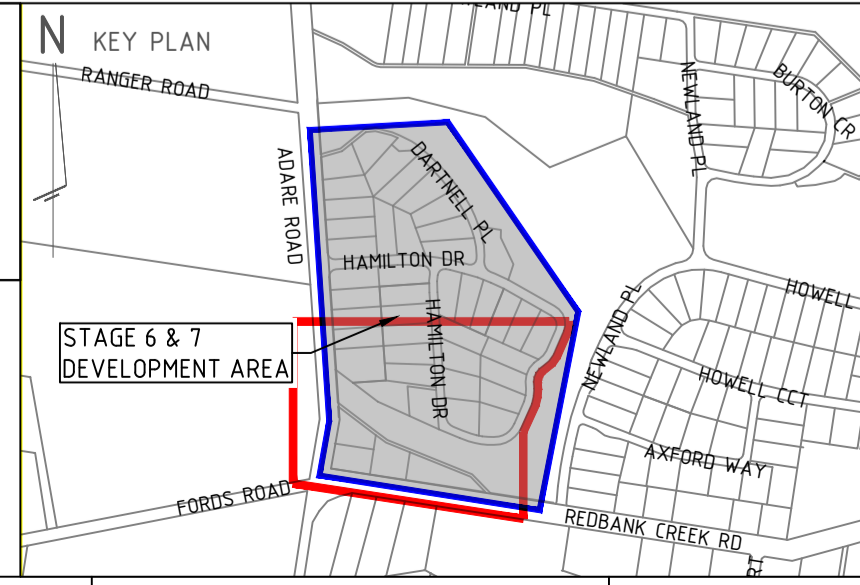
NBNCO APPROVAL RECORD:

<input type="checkbox"/> DD	SIGNATURE	DATE
<input type="checkbox"/> WD	_____	_____
<input type="checkbox"/> AB	_____	_____

QUALITY RECORD :

NBNCO DISCLAIMER
 THIS DOCUMENT HAS BEEN PREPARED SOLELY FOR THE USE OF NBNCO LIMITED (ABN 86 136 533 741) FOR USE IN MAINTAINING NBNCO FACILITIES. IT HAS NOT BEEN CREATED FOR ANY OTHER USE. IT SHOULD NOT BE SCALED TO LOCATE NBNCO ASSETS. NO WARRANTY IS GIVEN THAT THE INFORMATION IS ACCURATE OR COMPLETE.

STREET ADDRESS: U14, 39 Lawrence Dr, Nanning QLD 4211
 POSTAL ADDRESS: PO Box 2853, Nanning BC QLD 4211
 TELEPHONE: (07) 5596 1425
 EMAIL: urd@pece.com.au
 WEB: pece.com.au



DRAWING TITLE:
STG-M000183587
PIT & PIPE LAYOUT
PARK LAKE STG6&7
40 Lot Subdivision

ENABLE#: 279323

STATE: QLD	REGION: 56
FSA:	SAM: ADA:
PROJECT No: STG-M000183587	
CADREF No:	
SCALE: 1:1000@A1	SHEET No. 2 OF 2
REV. P	