

**SDU Development Information**

Development Name:  
Park Lake - Stage 6 & 7

Developer Company:  
PARK LAKE

Development Address:  
Adare Road

Authorised Rep:  
PE CONSULTING ENGINEERS  
Phone: 07 5596 1425  
E-Mail: urd@pece.com.au

nbn Reference Number: STG-M000183587      Stage Number: 6 & 7  
Design Revision: A

**BILL OF MATERIAL**

NO OF LOTS: 46

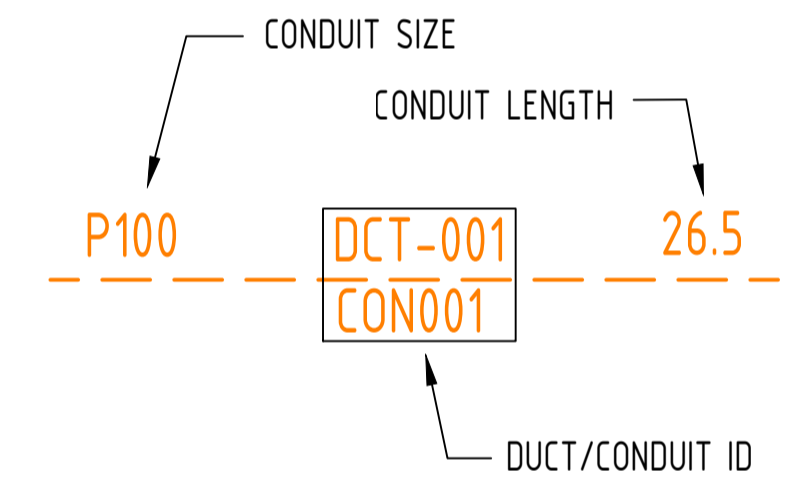
PITS		DUCTS	
SIZE	QTY	SIZE	QTY
2	0	P100	29
5	23	P50	1
6	2	P20	46
8	3		
9	0		

TOTAL NUMBER OF PITS: 28  
 TOTAL NUMBER OF MANHOLES: 0  
 TOTAL NUMBER OF CONDUITS: 76  
 TOTAL LENGTH OF CONDUITS: 3305.5

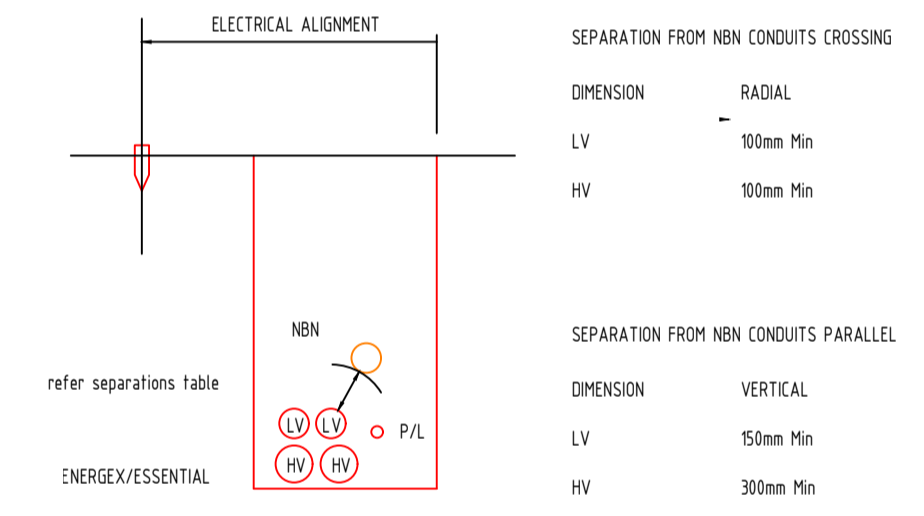
**NBN SYMBOL LEGEND**

- Transformer / Kiosk / Pad Mount Sub-station / Pole Mount Transformer
- PIT-ID 5 Network Boundary/Local Network Pit (Single Lid) (700mmX450mmX650mm)
- PIT-ID 6 Network Boundary/Local Network Pit (Single Lid) (1360mmX555mmX650mm)
- PIT-ID 8 Distribution/Local Network Connection Pit (1360mmX555mmX860mm)
- Shared Trench Symbol
- Energen Pillar

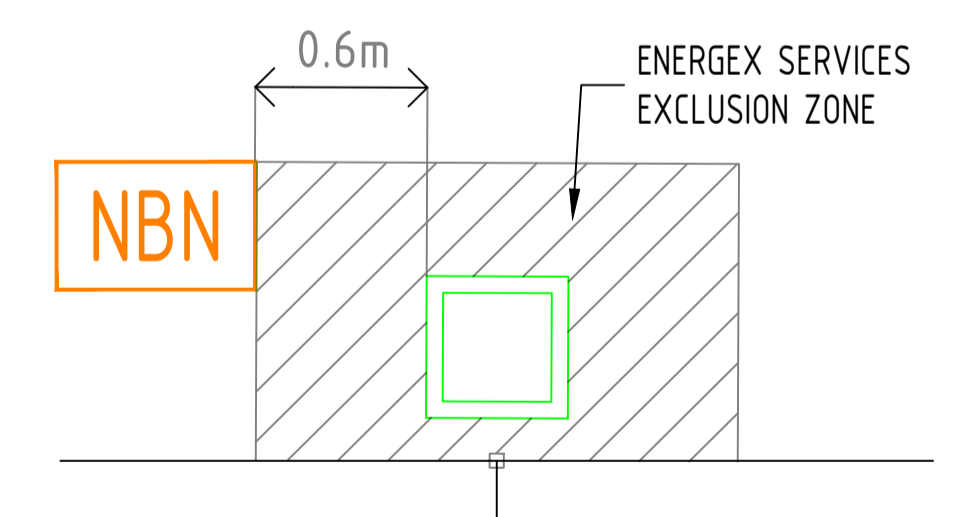
**CONDUIT CONFIGURATION**



**TRENCH SECTION**



**STANDARD NBN PIT OFFSET TO ENERGEX PILLAR**



WHERE PITS ARE NOT LOCATED BESIDE PILLARS, OFFSETS WILL BE SHOWN ON THE LAYOUT TO THE NEAREST TRUNCATION. IF NO OFFSET DISTANCE IS SHOWN, PLEASE CONTACT DESIGN CONSULTANT PRIOR TO INSTALLATION.



REV	DATE	DRAFTER	DESCRIPTION	APPROVED
P	14.01.25	AP	PRELIMINARY ISSUE, NOT FOR CONSTRUCTION	

**STRICTLY CONFIDENTIAL**

NBNCO APPROVAL RECORD:

SIGNATURE	DATE
<input type="checkbox"/> DD	
<input type="checkbox"/> WD	
<input type="checkbox"/> AB	

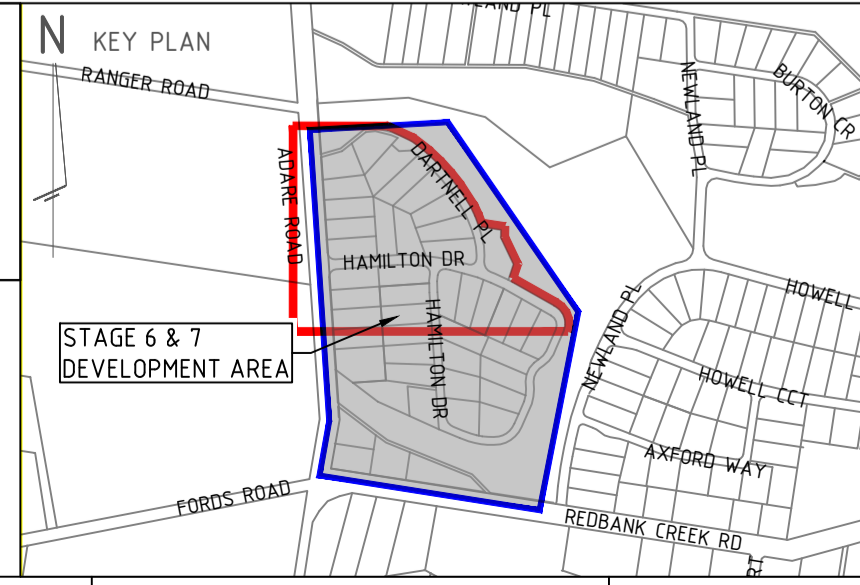
QUALITY RECORD:

NBNCO DISCLAIMER  
 THIS DOCUMENT HAS BEEN PREPARED SOLELY FOR THE USE OF NBNCO LIMITED (ABN 86 136 533 741) FOR USE IN MAINTAINING NBNCO FACILITIES. IT HAS NOT BEEN CREATED FOR ANY OTHER USE. IT SHOULD NOT BE SCALED TO LOCATE NBNCO ASSETS. NO WARRANTY IS GIVEN THAT THE INFORMATION IS ACCURATE OR COMPLETE.

**nbn** Australia's broadband network

**PE CONSULTING ENGINEERS**

STREET ADDRESS: U14, 39 Lawrence Dr, Naremborg QLD 4211  
 POSTAL ADDRESS: PO Box 2953, Naremborg QLD 4211  
 TELEPHONE: (07) 5596 1425  
 EMAIL: urd@pece.com.au  
 WEB: pece.com.au



DRAWING TITLE:  
STG-M000183587  
PIT & PIPE LAYOUT  
PARK LAKE STG6&7  
40 Lot Subdivision

ENABLE#: 279323

STATE: QLD      REGION: 56

FSA:      SAM:      ADA:

PROJECT No: STG-M000183587

CADREF No:

SCALE: 1:1000@A1      SHEET No. 1 OF 2      REV. P



JOINS SHEET 1

JOINS SHEET 1



REV	DATE	DRAFTER	DESCRIPTION	APPROVED
P	14.0125	AP	PRELIMINARY ISSUE, NOT FOR CONSTRUCTION	

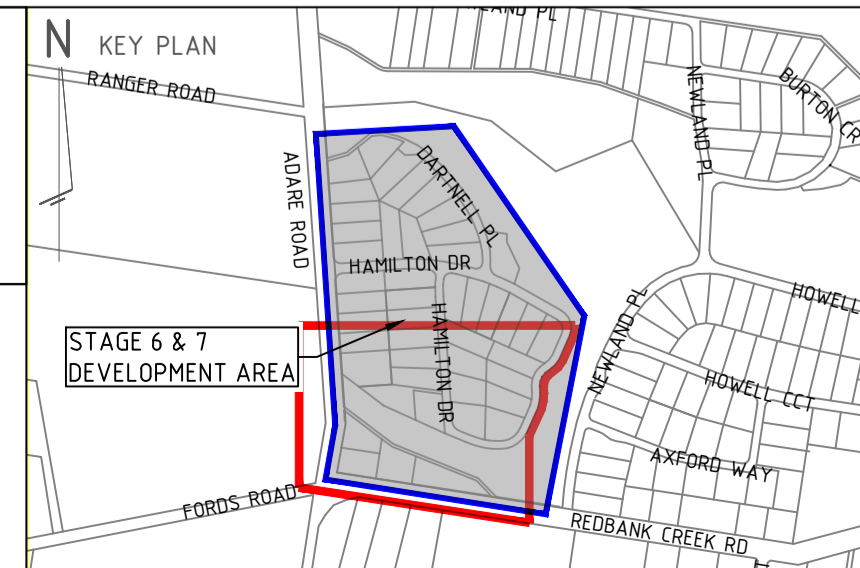
**STRICTLY CONFIDENTIAL**

NBNCO APPROVAL RECORD:

SIGNATURE	DATE
<input type="checkbox"/> DD	_____
<input type="checkbox"/> WD	_____
<input type="checkbox"/> AB	_____

QUALITY RECORD :

NBNCO DISCLAIMER  
 THIS DOCUMENT HAS BEEN PREPARED SOLELY FOR THE USE OF NBNCO LIMITED (ABN 86 136 533 741) FOR USE IN MAINTAINING NBNCO FACILITIES. IT HAS NOT BEEN CREATED FOR ANY OTHER USE. IT SHOULD NOT BE SCALED TO LOCATE NBNCO ASSETS. NO WARRANTY IS GIVEN THAT THE INFORMATION IS ACCURATE OR COMPLETE.



DRAWING TITLE: STG-M000183587 PIT & PIPE LAYOUT PARK LAKE STG6&7 40 Lot Subdivision		
ENABLE#: 279323		
STATE: QLD	REGION: 56	
FSA:	SAM:	ADA:
PROJECT No: STG-M000183587		
CADREF No:		
SCALE: 1:1000@A1	SHEET No. 2 OF 2	REV. P

